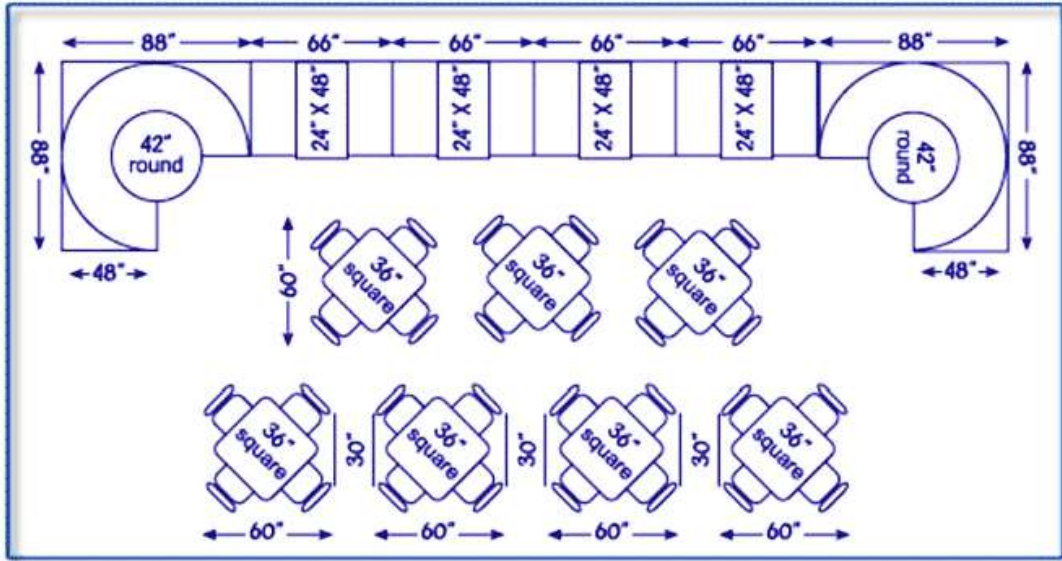
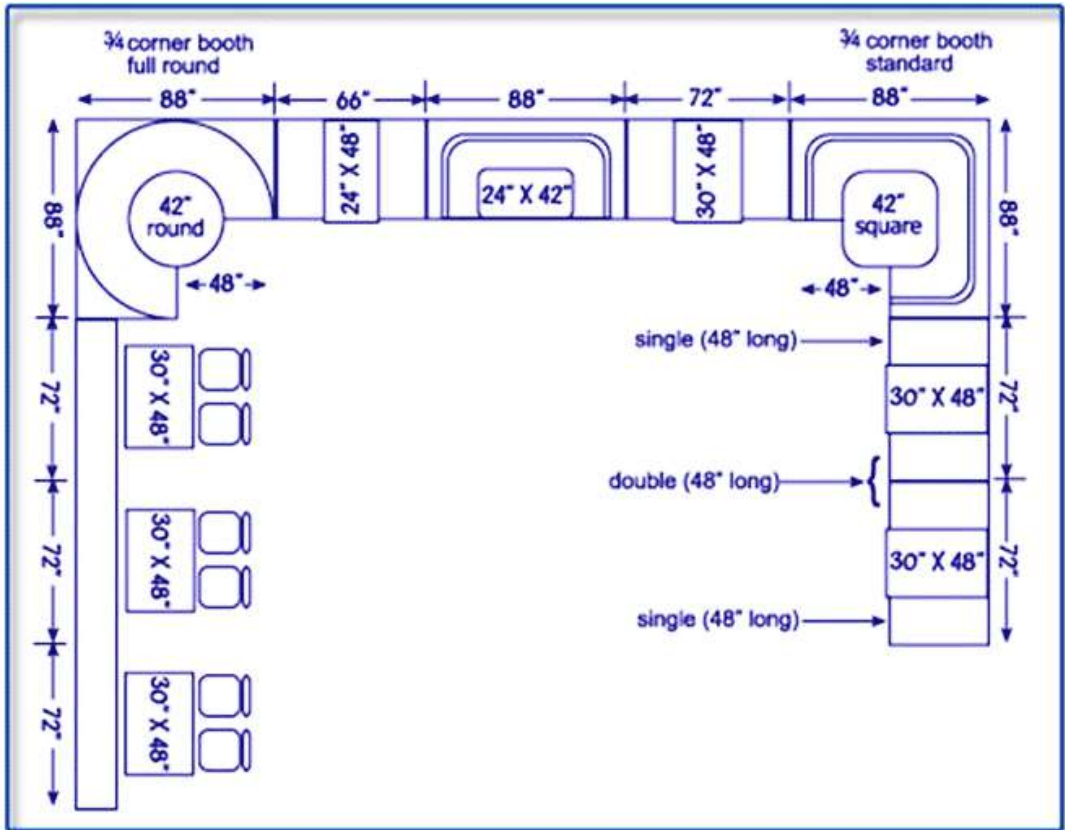


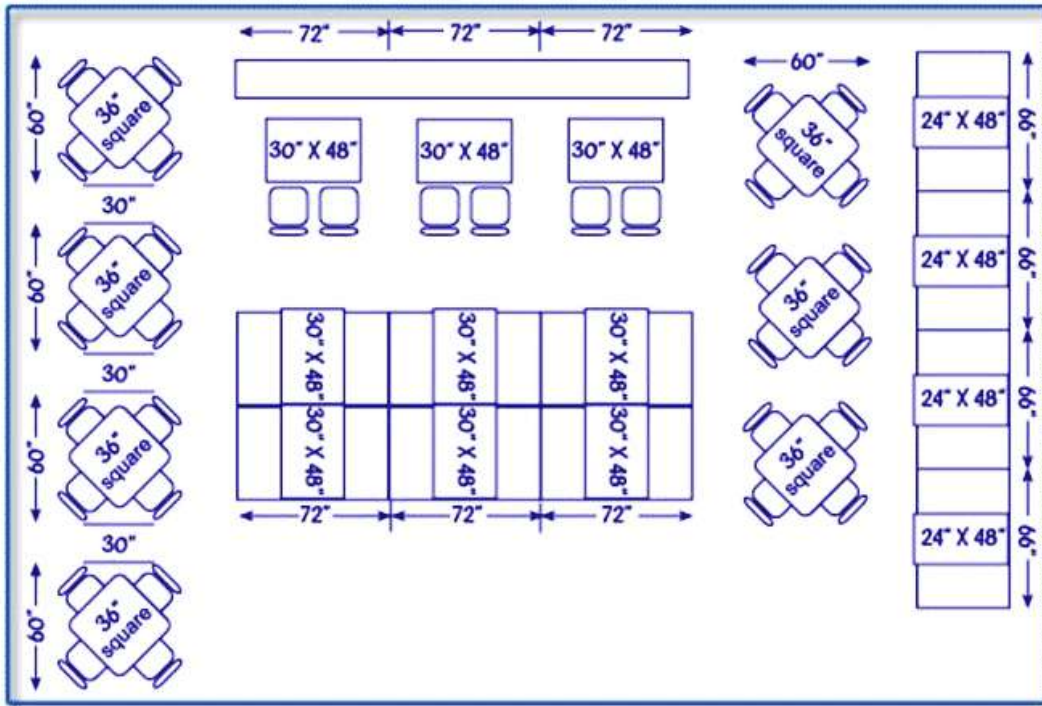
Design Layout 3: 2 x Round Booths, 4 x Regular Booths, 7 x Square Tables
Total Restaurant Capacity: About 52 seats



Design Layout 4: 1 x Corner Round Booth, 1 x Corner Square Booth, 1 x Half Square Booth, 4x Regular Booths, 3 x Combo Tables w/ Booth
Total Restaurant Capacity: About 40 seats



Design Layout 5: 7 x Square Tables, 10 x Regular Booths, 3 x Combo Tables w/ Booth
Total Restaurant Capacity: About 80 seats



Design Layout 6: 2 x Corner Round Booths, 2 x Half Square Booths, 4 x Regular Booths, 5 x Square Tables, 4x Couple's Tables
Total Restaurant Capacity: About 60 seats

